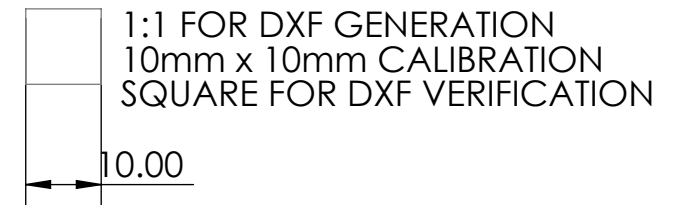
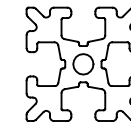
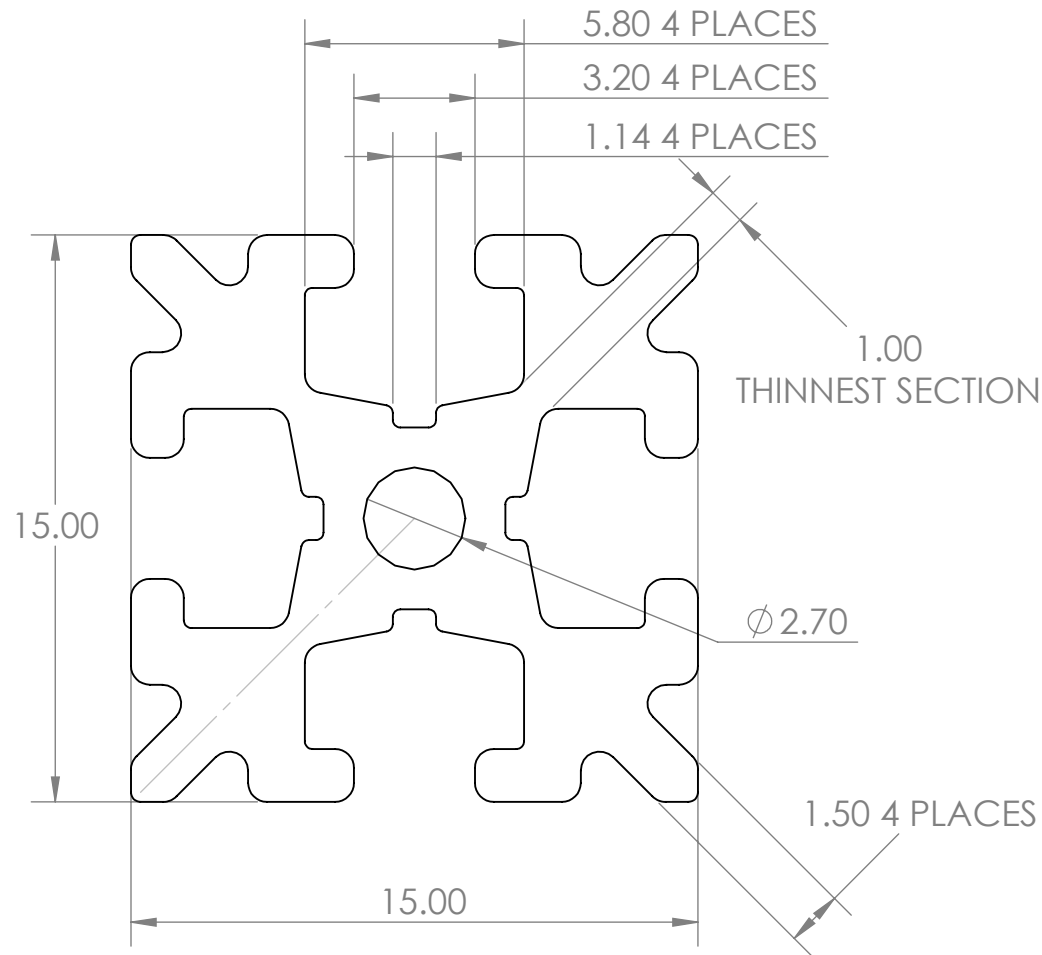


NOTES:

UNLESS OTHERWISE SPECIFIED:

1. **CAD:** USE ZT-HWA-00178(02).DXF FOR TOOLING AND MANUFACTURE. THIS DRAWING WAS GENERATED FROM A CAD DATABASE. QUERY CAD FILE FOR BASIC DIMENSIONS. IF A CONFLICT EXISTS BETWEEN THIS DOCUMENT AND ANY REFERENCED DOCUMENT, THIS ONE TAKES PRECEDENCE.
2. **DIMENSIONING:** ALL DIMENSIONS ARE IN MM. DIMENSIONING AND TOLERANCING ARE PER ASME Y14.5-1994.
3. **TOLERANCES:** UNLESS OTHERWISE STATED, FEATURE SIZE AND POSITIONAL TOLERANCES ARE AS FOLLOWS:
 - X ± 0.50 MM
 - X.X ± 0.10 MM
 - X.XX ± 0.05 MM
 - ANGLES ± 2°
 - WALL THICKNESSES: +0.00 MM / - 0.30 MM
4. **EXTRUSION LENGTH:** EXTRUSIONS SHALL BE FURNISHED AT 1 METER ± 5 MM LENGTH.
5. **MATERIAL:** ALUMINUM, 6063-T6, OR TAM LABS ENGINEERING APPROVED EQUIVALENT.
6. **VOLUMETRIC DATA (PROJECTED):** CROSS SECTION AREA: 109 MM². WEIGHT PER 1 METER SECTION: 298 GRAMS.
7. **SURFACE TREATMENT:** ANODIZE, CLEAR OR COLOR, PER PURCHASE ORDER.
8. **WORKSMANSHIP:** TWIST SHALL NOT EXCEED 3/4° PER METER. EXTRUSION SHALL BE FLAT WITHIN 1MM PER METER. MAXIMUM ALLOWABLE DEPTH OF SURFACE DEFECT: 0.1MM.
9. **PART CLEANINESS:** REMOVE ALL BURRS & SHARP CORNERS. CLEAN OFF ALL OILS, DIRT, OR OTHER CONTAMINANTS
10. **INSPECTION DIMENSIONS:** DIMENSIONS IN OVALS SHALL BE INSPECTED AT INCOMING INSPECTION.
11. **RoHS COMPLIANCE:** THIS COMPONENT SHALL COMPLY WITH THE EU 2002/95/EC (RoHS) AND EU 2002/96/EC (WEEE) DIRECTIVES
12. **CONTROLLED DRAWING:** NO CHANGES TO THIS DRAWING ALLOWED WITHOUT PRIOR APPROVAL FROM ZT AUTOMATIONS, LLC.



<p>LICENSED UNDER CREATIVE COMMONS CC BY-SA</p> <p>The information in this drawing is licensed under Creative Commons Attribution-Share Alike License. You may freely redistribute the content in this document and share it with others as long as the following criterias are met:</p> <p>1) The author of the document shall be credited as: ZT Automations, LLC - www.ztautomations.com 2) Any changes that are made to this document shall be licensed under the same terms as this document (Creative Commons Attribution Share-Alike) with the original author credited.</p> <p>For more details, please visit Creative Commons at www.CreativeCommons.org/licenses/</p>		<p>TOLERANCES:</p> <p>REFER TO NOTES FOR TOLERANCE INFORMATION.</p>	<p>TITLE:</p> <p>Extrusion, OpenBeam 1515,</p>		
<p>SIZE:</p> <p>B</p>	<p>ENGINEER:</p> <p>Terence T.S. Tam (譚德成)</p>	<p>PART NUMBER:</p> <p>ZT-HWA-00178</p>	<p>REV</p> <p>02</p>		